

2216-Neo8 15" LF driver



- **Designed for very high output live sound**
Applications with superior bass and lower midrange performance
- **Optimized for vented and horn loaded systems**
- **1600 W continuous program power**
- **edge-wound ribbon aluminum wire**
Voice coil on fiberglass former
- **composite Kevlar reinforced cone with extra durable waterproof coating**
- **very light, stiff and stable moving system ensures driver linearity under extreme stress resulting in uncompressed and clean reproduction of highly transient signals**
- **High grade Neodymium magnet**

SPECIFICATIONS

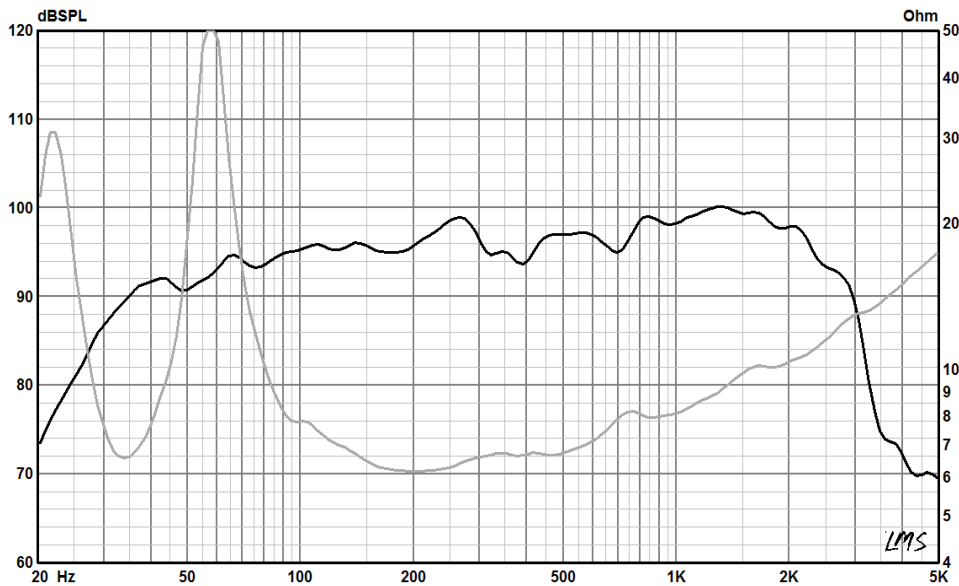
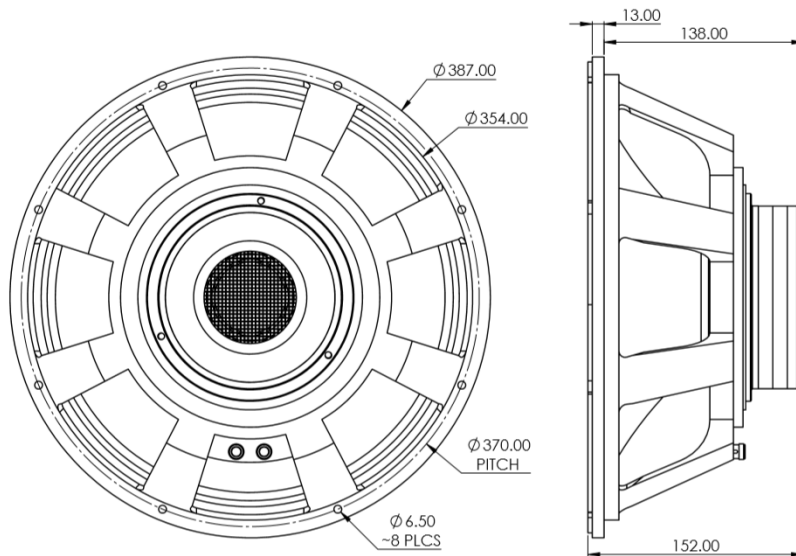
Nominal diameter	15"/380 mm
Rated impedance	8 Ω
Power handling ¹	800 W
Continuous program power ²	1600 W
Sensitivity ³	96.5 dB
Effective Frequency range ⁴	30 Hz – 2 kHz
Recommended max. XO frequency	1200 Hz
Minimum impedance	6.3 Ω
Cone material	Paper/Kevlar composite
Voice coil diameter	101.6 mm (4")
Voice coil winding	edge wound ribbon
Voice coil wire	Aluminum
Voice coil former	Fiberglass
Voice coil displacement limit	20 mm
Voice coil winding height	23 mm
Magnetic gap height	10 mm
Suspension	Triple roll, Poly-cotton
Magnet	Neodymium ring
Frame	Cast Aluminum
Recommended enclosure volume	60 – 150 L (2.12-5.3 ft ³)

Thiele-Small parameters

Fs	40 Hz
Sd	880 cm ²
Re	5.4 Ω
Qms	3.3
Qes	0.199
Qts	0.190
Vas	114 dm ³ (L)
Cms	0.1 mm/N
Mms	165 g
BL	33 N/A
Le	0.93 mH
Xmax ⁶	9.0 mm

Mounting and mechanical parameters

Overall diameter	387 mm (15.25 in)
Bolt circle diameter	370mm (14.56 in)
Baffle cut-out diameter	356 mm (14.00 in)
Overall depth	138mm (5.400 in)
Net weight	6.36 kg (14.0 lbs.)



Frequency response and impedance curves of 2216 driver in 130 L/Fb=34 Hz vented box with EBS (extended bass shelf).

Specifications notes

1. As per AES2-1984 Rev.2003. Radian Audio tests power using voltage levels calculated based on rated impedance, according to AES and IEC 60268-5 standards, as better reflecting real life operating conditions. To be distinguished from power specification approach that uses minimum impedance, resulting in inflated power rating.
2. Continuous program power is defined at 3dB higher than AES power and reflects power handling capacity for typical live music and cinema content reproduction.
3. Driver mounted in specified enclosure, measured at 1m, at 2.83V in simulated free field conditions as per AES 2-2012 and IEC 60268-5 (Ed.3.1 2007-09). Sensitivity is calculated for 1W/1m conditions as an average SPL within 60Hz-1000Hz frequency band.
4. Defined at -10 dB below average SPL used in specification of sensitivity.
5. Xmax is defined as $X_{max} = (H_{vc} - H_{gap}) / 2 + H_{gap} / 4$ and based on actual BL linearity data measured for each driver by laser based analyser with 82% BL reduction limit from normalized maximum at voice coil rest position. Hvc – voice coil height, Hgap – active magnetic gap height.